

INTERNATIONAL-VERSION

B



REAL 4X4 · REAL DRIVE

WWW.MIKENO.DE

TECHNICAL DATA · MIKENO MPV

MIKENO
MULTI-PURPOSE-VEHICLE

ENGINE

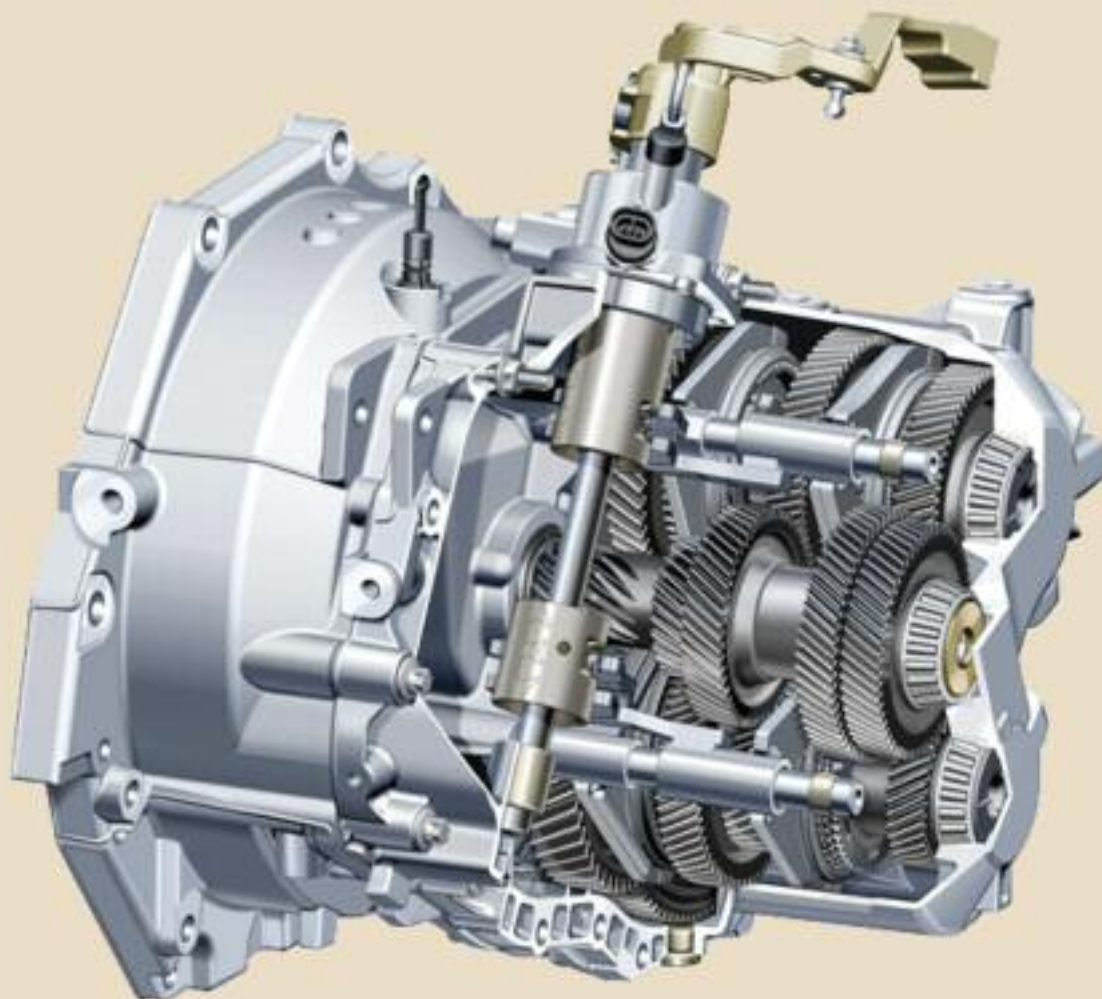


ENGINE 2.06 XPDi

Engine Code:	XPDi
Displacement:	1598 ccm (97.5 cu in)
Valvetrain:	DCVCP
Ventils and system:	16, cam cain
Bore:	79,7 mm (3.14 in)
Stroke:	80,1 mm (3.15 in)
Fuel:	Diesel GOPS A10 B10 Gazole EN590 (FAME EN14214)
Compression ratio:	16 : 1
Power:	100 kW (136 HP) / 3500-4000 min-1
Torque:	320 NM at 2000 min-1
Fuel System:	Common Rail
Turbocharger:	Variable Geometry Turbocharger
Fuel injection:	High-pressure common-rail with 1800bar
Emission controls:	Coated Diesel Particulate Filter (cDPF) Oxidation catalyst, Water cooled EGR, SCR AdBlue®
Emission level:	Euro Stage V / VI
Fuel consumption (extra-urban):	6,5 l/100 km
Fuel consumption (urban):	9,6 l/100 km
Fuel consumption combined:	8,3 l/100 km
CO2-Emissions:	132 g/km

* Euro 6 Version available in 2016 (European Homologation)

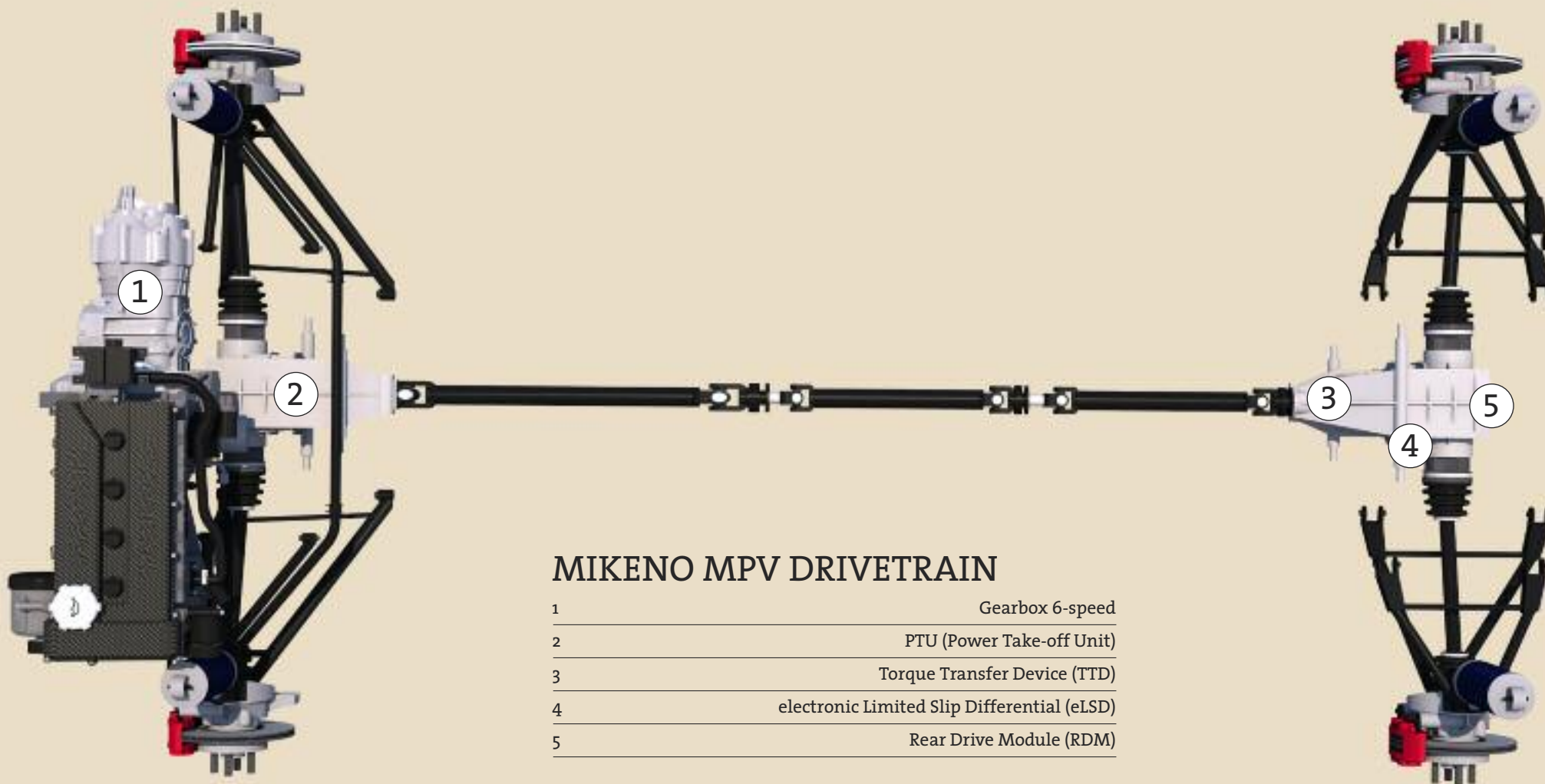
GEARBOX



GEARBOX MT-6

Gearbox Code:	MT-6 FWD (AWD)
Material:	Aluminium cast
Weight (dry):	55 kg
Torque (max.):	400 Nm
Transmission Fluid:	BOT 303 / 75W-85 GL-4
Type:	6-speed manual
Ratio:	3-55
Torque limitations:	300 Nm 1st=4,167
Torque limitations:	330 Nm 1st=3,917
Torque limitations:	280 Nm 1st=3,769
Torque limitations:	2nd gear to 6th gear: 400 Nm (all)
Torque limitations:	4th gear: 400 Nm (all)
No. of gears:	6 + rev.
No. of shafts:	3
Shift system (cable/rod):	cable
Clutch actuation system (hydraulic/mechanical):	hydraulic
Center distance Input/Differential	F40: 197mm
Length	354 mm, 372 mm
Clutch size:	240 mm and 250 mm
Synchronization:	1st-2nd: 3 cone, 3rd-4th: 2 cone, 5th-6th: 1 cone, rev.: 2 cone

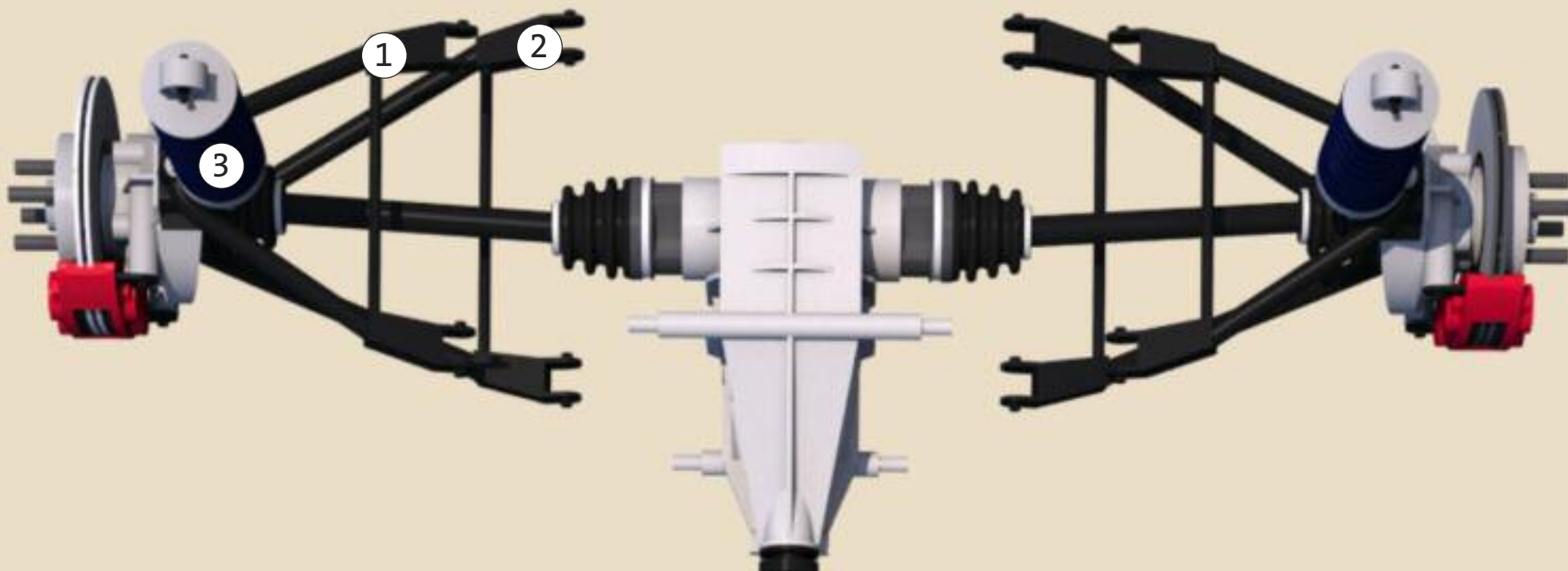
DRIVETRAIN CONCEPT



MIKENO MPV DRIVETRAIN

1	Gearbox 6-speed
2	PTU (Power Take-off Unit)
3	Torque Transfer Device (TTD)
4	electronic Limited Slip Differential (eLSD)
5	Rear Drive Module (RDM)

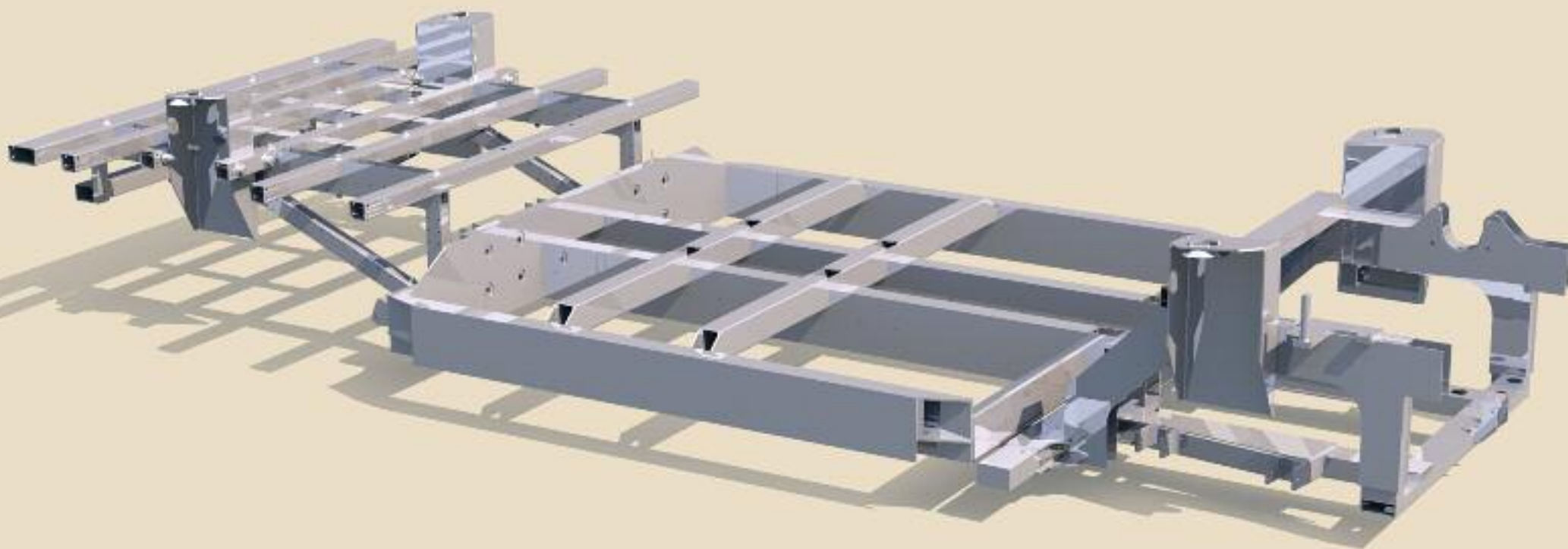
SUSPENSION REAR AXLE



DOUBLE A SETUP

1	upper wishbone
2	lower wishbone
3	shock absorber

FRAME CONSTRUCTION



GALVANIZED FRAME

Steel:	ST32
Galvanization:	Hot-dip galvanization, Zinc
Modules:	3
Connection technology:	Rivets, screws
Weight:	106 kg

MAIN TECHNICAL DATA - MIKENO MPV

	STATION 9FT	HARDTOP 9FT	PICKUP 9FT	CHASSIS 9FT
Wheelbase:	2737 mm	2737 mm	2737 mm	3355 mm
Overall length:	4123 mm	4123 mm	4500 mm	5203 mm
Height:	2002 mm	2002 mm	2002 mm	2002 mm
Front overhang	639 mm	639 mm	639 mm	639 mm
Rear overhang	757 mm	757 mm	1124 mm	1124 mm
Track width front	1587 mm	1587 mm	1587 mm	1587 mm
Rear track width	1590 mm	1590 mm	1590 mm	1590 mm
Total width with mirrors	2016 mm	2016 mm	2016 mm	2016 mm
Wadding depth	800 mm	800 mm	800 mm	800 mm
Soil freedom, unloaded	412 mm	412 mm	412 mm	412 mm
Ramp angle of front axle	57,0°	57,0°	57,0°	57,0°
Ramp angle of back axle	57,0°	57,0°	57,0°	57,0°
Ramp angle middle	25,0°	25,0°	25,0°	25,0°
Inside turning radius	12,44 m	12,44 m	12,94 m	12,94 m
FEATURES				
Fuel Tank	70 litre	70 litre	70 litre	70 litre
Empty weight (kg)	1.307	1.307	1.307	1.307
Gross Vehicle Weight (kg)	2.400 / 2.800 or 3.200	2.400 / 2.800 or 3.200	2.400 / 2.800 or 3.200	2.400 / 2.800 or 3.200
Front axle	Pseudo McPherson suspension with double A wishbones and anti-roll bar			
Back axle	Pseudo McPherson suspension with double A wishbones and anti-roll bar			
Gearbox	6-speed gearbox			
Permitted trailer load (kg)	3.200 braked / 750 unbraked up to 12 %			
Seat arrangement	4	4	4	4
Open differential Lock (back axle)	Series	Series	Series	Series
Diesel Particulate Filter	Series	Series	Series	Series
Battery	68 Ah	68 Ah	68 Ah	68 Ah
AC System	Series	Series	Series	Series
Fuel Tank	70 litre	70 litre	70 litre	70 litre
Brake system front / back	ABS with EBA and ESP			
Safety system brake	EBA Emergency Brake Assist			
Vehicle class for homologation	N1G truck	N1G truck	N1G truck	N1G truck
Power steering (hydraulic)	Series	Series	Series	Series
Immobiliser	Series	Series	Series	Series
Central locking	Series	Series	Series	Series
Seat displacement	4 seats	2 seats	4 seats	4 - 6 seats
AWD 4x4 concept	Adaptive system 50:50 (front/back)	Adaptive system 50:50 (front/back)	Adaptive system 50:50 (front/back)	Adaptive system 50:50 (front/back)
Body concept	4 door plus tailgate (back)	4 door plus tailgate (back)	4 door plus tailgate (back)	4 doors
Windows	safety glass (EU), sliding windows in doors			
Standard tires	235/70 R 16	235/70 R 16	255/70 R 16	255/70 R 16
Frame	steel, hot-galvanized	steel, hot-galvanized	steel, hot-galvanized	steel, hot-galvanized



MPV

STATION



MPV

HARDTOP



MPV

CHASSIS



MPV

CHASSIS



REAL 4X4 · REAL DRIVE

WWW.MIKENO.DE

Information presented enclosed is subject to change.

Version: 01/2014 · www.mikeno.de

© 2014 MIKENO Multi Purpose Vehicle GmbH, believes the specifications on this publication to be correct at the time of publishing. Specifications, standard equipment, options, fabrics and colors are subject to change without notice. Some features may be unavailable when your vehicle is built. Some vehicles are pictured with options that may be available at extra cost or may not be available on some models. Ask your dealer about availability of options and verify that the vehicle you ordered includes the equipment you ordered. Tires are supplied and warranted by their manufacturer. Documents forming part of MIKENOS's offer such as sizes, drawings etc. shall only be considered as providing approximate measures and weights unless it was explicitly confirmed in writing that dimension and weight accuracy exists. MIKENOS reserves property rights and copyrights in these documents; they shall not be made available to third parties without efs' consent or may not be put to any unauthorized use. The vehicles shown in this brochure are partially equipped with special equipment for an additional charge. All information about equipment and technical data are based on the characteristics of the German market and comply with existing knowledge at the time of printing. Paintwork and color of seat upholstery cannot be display on this publication like inreal. All illustrations are only be used as reference point.

MIKENO Multi Purpose Vehicle GmbH

Geschwister-Scholl-Str. 2

D-61476 Kronberg/Taunus

Telefon: +49 61 73 92 55 16

Telefax: +49 61 72 92 55 10

Email: info@mikeno.de

Web: www.mikeno.de

+49 6173 955 10 **FAX**

INFO@MIKENO.DE **MAIL**

+49 6173 955 16 **PHONE**

MIKENO
MULTI-PURPOSE-VEHICLE